

MID series offers an agitator pump solution that gives you the possibility to satisfy low budget requirements and reach worldwide markets.



MID

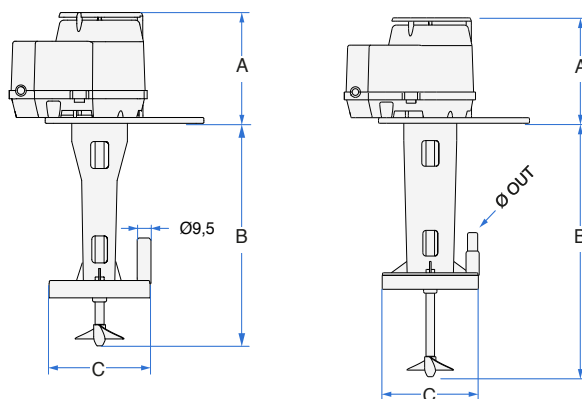
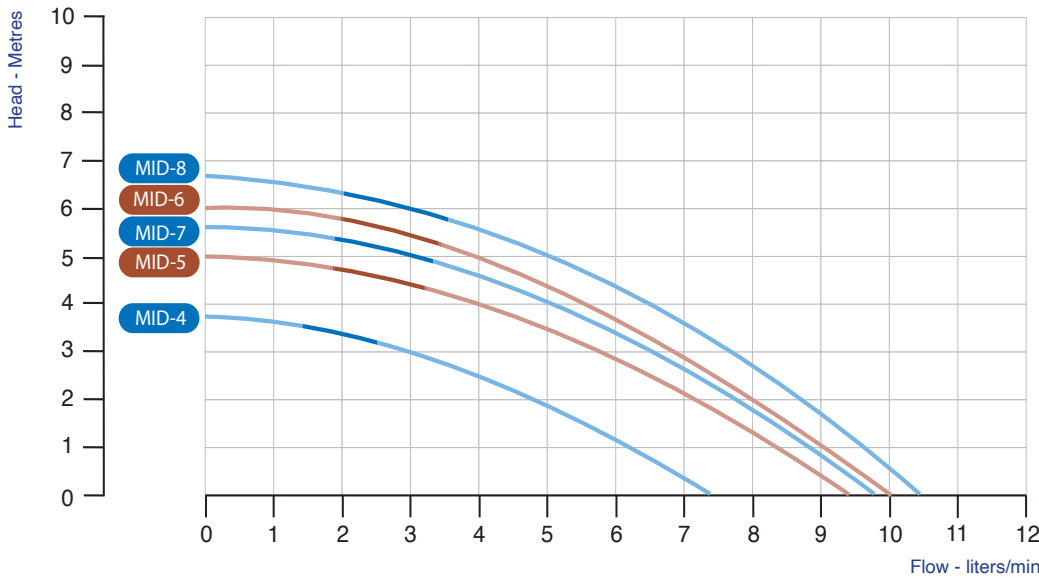
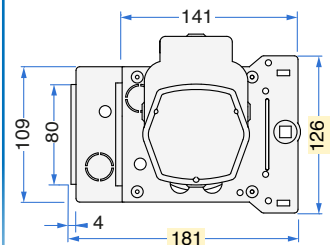
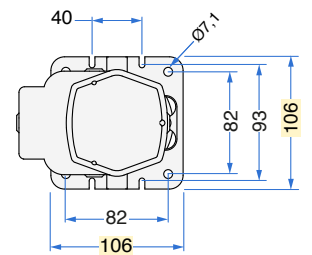
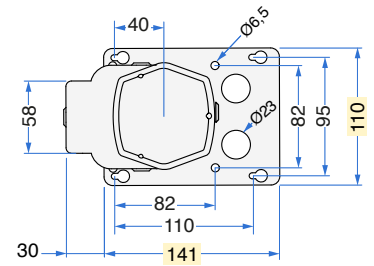
TECHNICAL SPECIFICATIONS



- Category** AGITATOR-PUMP with immersed vertical axis.
- Windings** Single-phase motor. Insulation Class F.
- Motor body** PA66 30% glass fiber plastic shell motor housing.
- Protection** IP 31 ingress protection rating.
- Safety** Built-in thermal motor protection system.
- Ball bearings** Ø 8 mm NSK, SKF or equivalent, in semi-rigid noise-damping silicone casing.
- Motor shaft** AISI 303 INOX steel Ø 8 mm.
- Fastening parts** INOX steel or corrosion-resistant materials.
- Motor parts** Thermoplastic motor parts resistant to high temperature.
- Cooling system** Air cooled pump with a suction speed of 1,6 m/s.
- Water connection** Compatible with John Guest fittings.
- Operation** Power supply 115 or 220-240 Volts - 24 hours a day non stop. Clean non drinkable water only.
- Regulations** Complying with EN60335-2-41:2003/A2:2010 and WEEE/RoHs directives.
- Note** **Italian PATENTED component.** Read the instruction booklet for correct set up and use. Designed for industrial use with CE certified cooler machinery only. Not intended for food contact.



AVAILABLE FIXING PLATES



TYPE	Volt	Hz	Amp	Watt (in)	RPM	A	B	C	Ø OUT	Propeller Ø [mm]	Weight [Kg]
MID-4	220-240	50	0,57	57	2800	96	153	64	9,5	50x15° 2 Blades	1,7
MID-7	220-240	50	0,60	64	2750	96	187	78	9,5	50x15° 2 Blades	1,8
MID-7c	220-240	50	0,60	64	2750	96	153	78	9,5	50x15° 2 Blades	1,7
MID-8	220-240	50	0,60	68	2700	96	220	90	9,5/12,3	50x15° 2 Blades	1,8
MID-5	115	60	1,25	66	3400	96	185	64	9,5	45x15° 2 Blades	1,7
MID-5	220	60	0,56	66	3400	96	185	64	9,5	45x15° 2 Blades	1,7
MID-6	115	60	1,40	70	3400	96	185	78	9,5/12,3	45x15° 2 Blades	1,8

Rev. 21-02 Performance and electrical data have been tested at 20°C with clean water only. The company reserves the right to modify specifications without prior notice.

© SABER SRL 2026 - ALL RIGHTS RESERVED - REGISTERED DESIGN - [www.saberpumps.com](http://www.saberpumps.com)