

DSP

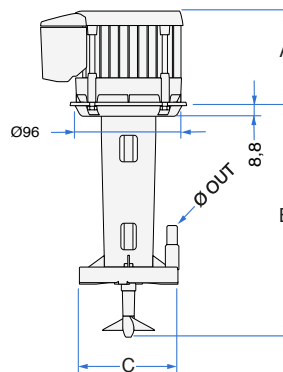
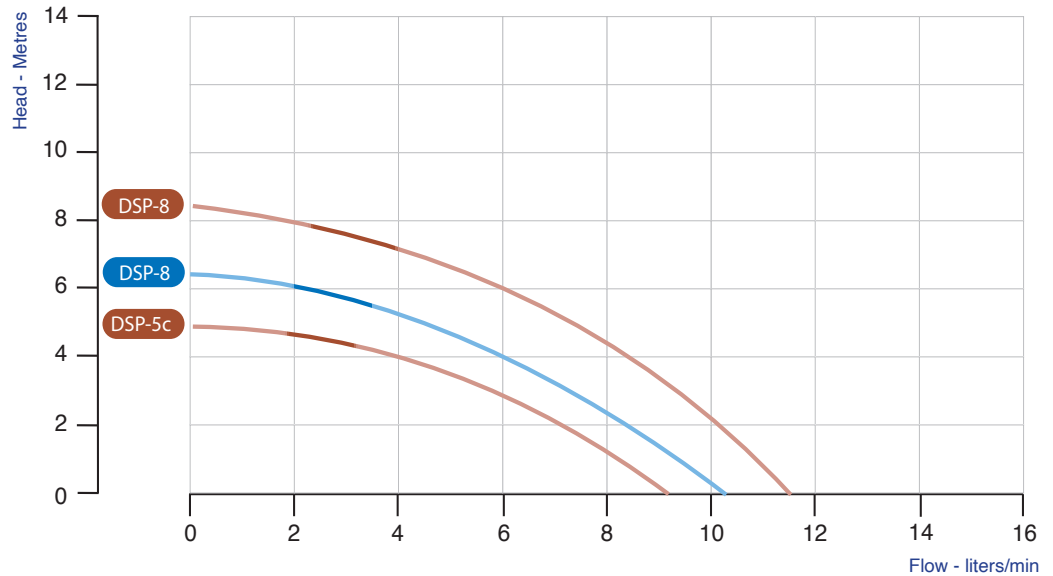
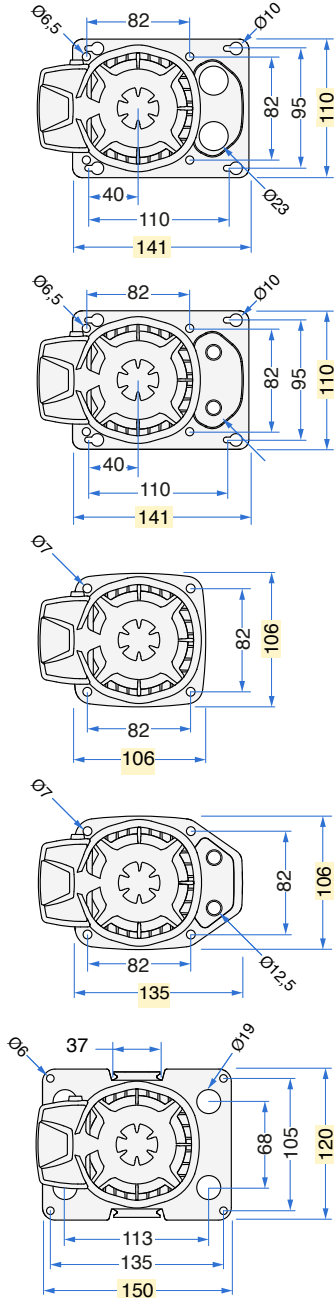


TECHNICAL SPECIFICATIONS



Category	AGITATOR-PUMP with immersed vertical axis.
Windings	Single-phase motor. Insulation Class F.
Motor body	Extruded aluminium casing.
Protection	IP 44 ingress protection rating.
Safety	Built-in thermal motor protection system.
Ball bearings	Ø 8 mm (12 mm optional) NSK /SKF or equivalent, in semi-rigid noise-damping silicone casing.
Motor shaft	AISI 303 INOX steel Ø 8mm.
Fastening parts	INOX steel or corrosion-resistant materials.
Motor parts	Thermoplastic motor parts resistant to high temperature complying to UL regulation.
Cooling system	Air cooled pump with a suction speed of 3,1 m/s.
Water connection	Compatible with John Guest fittings.
Operation	Power supply 110-115 or 220 Volts - 24 hours a day non stop. Clean non drinkable water only.
Regulations	Complying with EN60335-2-41:2003/A2:2010 and WEEE/RoHs directives.
Note	PATENTED device. Read the instruction booklet for correct set up and use. Designed for industrial use with CE certified cooler machinery only. Not intended for food contact.

AVAILABLE FIXING PLATES



TYPE	Volt	Hz	Amp	Watt (IN)	RPM	A	B	C	Ø OUT	Propeller Ø [mm]	Weight [Kg]
DSP-5c	110-115	60	0,55	53	3300	82	155	78	9,5/12,3	45x15° 2 Blades	1,4
DSP-8c	110-115	50-60	0,55	53	2800-3300	82	155	78	9,5/12,3	45x15° 2 Blades	1,5
DSP-8	110-115	50-60	0,55	53	2800-3300	82	198	78	9,5/12,3	45x15° 2 Blades	1,5
DSP-8c	220	50-60	0,30	65	2800-3300	82	155	78	9,5	45x15° 2 Blades	1,5
DSP-8	220	50-60	0,30	65	2800-3300	82	198	78	9,5	45x15° 2 Blades	1,5